



Submittal Data Sheet

1.5-Ton Roundflow Sensing Cassette Cooling Only
FCQ18TAVJURZR18TAVJUA

INDOOR UNIT



OUTDOOR UNIT





Submittal Data Sheet

1.5-Ton Roundflow Sensing Cassette Cooling Only
FCQ18TAVJURZR18TAVJUA

SYSTEM PERFORMANCE

Indoor Unit Model No.	FCQ18TAVJU	Indoor Unit Name:	Sky-Air Round Flow Sensing Cassette
Outdoor Unit Model No.	RZR18TAVJUA	Outdoor Unit Name:	Sky-Air Cooling Only ODU
Rated Cooling Capacity (Btu/hr):	18,000	Rated Cooling Conditions:	Indoor (°F DB/WB): 80 / 67 Ambient (°F DB/WB): 95 / 75
Sensible Capacity (Btu/hr):	16,100	Rated Piping Length(ft):	25
Max/Min Cooling Capacity (Btu/hr):	/	Rated Height Difference (ft):	0.00
Cooling Input Power (kW):			
SEER (Non-Ducted/Ducted):	18.60 /		
EER (Non-Ducted/Ducted):	13.00 /		

SYSTEM DETAILS

Refrigerant Type:	R-410A	Cooling Operation Range (°F DB):	23 - 122
Holding Refrigerant Charge (lbs):	6.4	Heating Operation Range (°F WB):	-
Additional Charge (lb/ft):	0.04	Max. Pipe Length (Vertical) (ft):	98
Pre-charge Piping (Length) (ft):	15	Cooling Range w/Baffle (°F DB):	0 - 122
Max. Pipe Length (Total) (ft):	164	Heating Range w/Baffle (°F WB):	-
Max Height Separation (Ind to Ind ft):	0		



Submittal Data Sheet

1.5-Ton Roundflow Sensing Cassette Cooling Only
FCQ18TAVJURZR18TAVJUA

INDOOR UNIT DETAILS

Power Supply (V/Hz/Ph):	208-230 / 60 / 1	Airflow Rate (H/M/L) (CFM):	742/618/477
Power Supply Connections:	L1, L2, Ground	Moisture Removal (Gal/hr):	
Min. Circuit Amps MCA (A):	0.6	Gas Pipe Connection (inch):	5/8
Max Overcurrent Protection (MOP) (A):	15	Liquid Pipe Connection (inch):	3/8
Dimensions (HxWxD) (in):	10-1/16 x 33-1/16 x 33-1/16	Condensate Connection (inch):	1
Net Weight (lb):	63	Sound Pressure (H/M/L) (dBA):	36/32/28
Ext. Static Pressure (Rated/Max) (inWg):	/	Sound Power Level (dBA):	

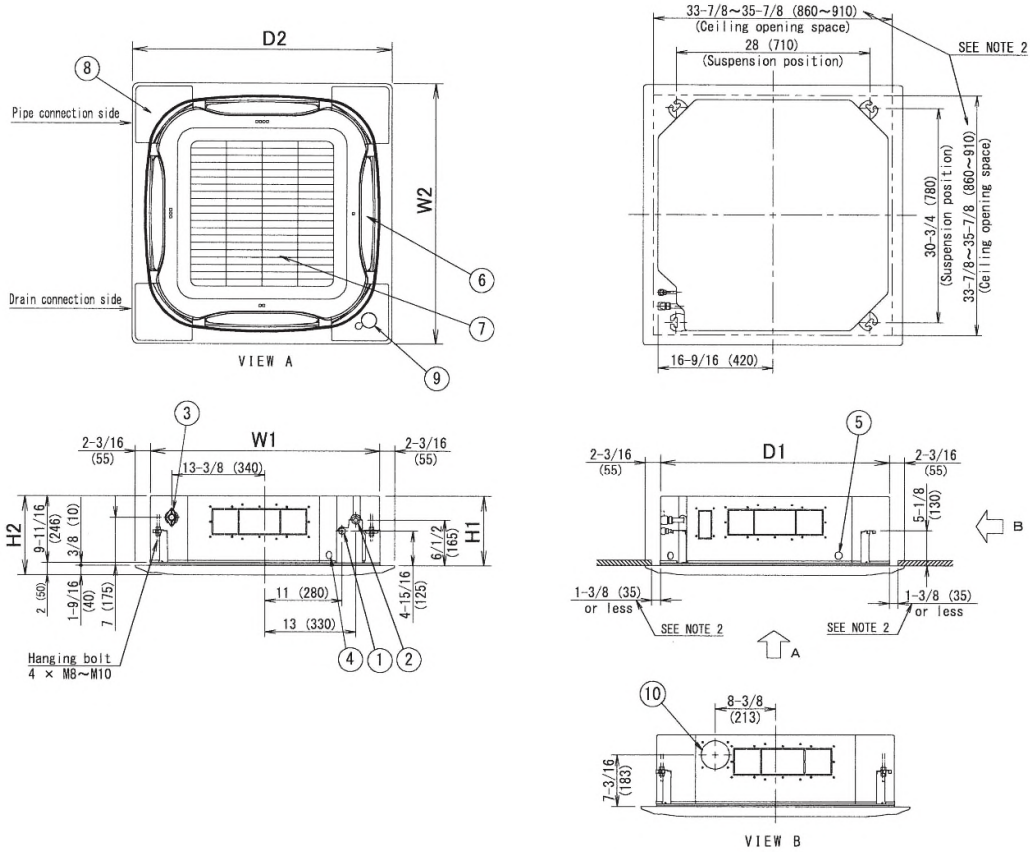
OUTDOOR UNIT DETAILS

Power Supply (V/Hz/Ph):	208-230 / 60 / 1	Compressor Stage:	
Power Supply Connections:	L1, L2, Ground	Capacity Control Range (%):	14-100
Min. Circuit Amps MCA (A):	16.5	Airflow Rate (H) (CFM):	2682
Max Overcurrent Protection (MOP) (A):	20	Gas Pipe Connection (inch):	5/8
Max Starting Current MSC(A):		Liquid Pipe Connection (inch):	3/8
Rated Load Amps RLA(A):		Sound Pressure (H) (dBA):	58
Dimensions (HxWxD) (in):	39 x 37 x 12-5/8	Sound Power Level (dBA):	
Net Weight (lb):	172		

Submittal Data Sheet

1.5-Ton Roundflow Sensing Cassette Cooling Only
FCQ18TAVJURZR18TAVJUA

DIMENSIONAL DRAWING - INDOOR UNIT



Unit : in. (mm)

ITEM	PART NAME	REMARK
1	Liquid pipe connection	φ3/8 (φ9.5) Flare connection
2	Gas pipe connection	φ5/8 (φ15.9) Flare connection
3	Drain pipe connection	VP25 (O. D. φ1-1/4 (φ32), I. D. φ1 (φ25))
4	Power supply entry hole	
5	Transmission wiring entry hole	
6	Air Outlet	
7	Air Inlet grille	
8	Corner decoration cover	
9	Sensor	Infrared presence sensor Infrared floor sensor
10	Knock out hole	φ3-15/16 (φ100)

Without panel	H1	10 (256)
	W1	33-1/16 (840)
	D1	33-1/16 (840)
With panel	H2	11-11/16 (296)
	D2	37-3/8 (950)

Notes) 1. Location of the nameplates:

- Unit body: on the control box cover.
- Decoration panel: on the panel frame at the motor side under the corner cover.

2. Make sure the spacing between the ceiling and the cassette is no more than 1-3/8" (35mm).
MAX ceiling opening: 35-7/8" (910mm).

3. When the conditions exceed 86°F (30°C) and RH 80% in the ceiling or fresh air is inducted into the ceiling an additional insulation is required (polyethylene foam, thickness 3/8" (10mm) or more).

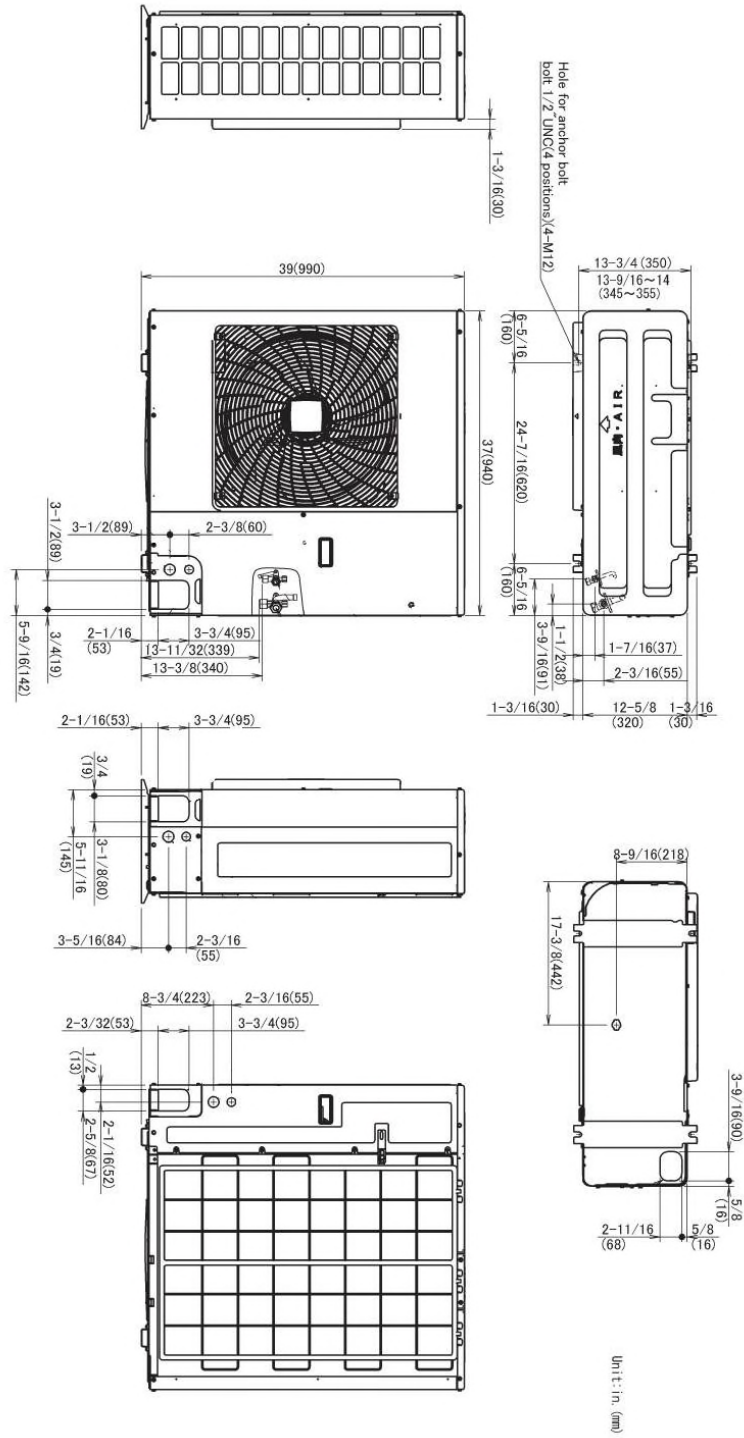
Note: For additional dimensional data and clearance information, refer to Engineering Data



Submittal Data Sheet

1.5-Ton Roundflow Sensing Cassette Cooling Only
 FCQ18TAVJURZR18TAVJUA

DIMENSIONAL DRAWING - OUTDOOR UNIT



Note: For additional dimensional data and clearance information, refer to Engineering Data