



Submittal Data Sheet

3.5-Ton Roundflow Sensing Cassette Cooling Only
FCQ42TAVJURZR42TAVJUA

INDOOR UNIT



OUTDOOR UNIT





Submittal Data Sheet

3.5-Ton Roundflow Sensing Cassette Cooling Only
FCQ42TAVJURZR42TAVJUA

SYSTEM PERFORMANCE

Indoor Unit Model No.	FCQ42TAVJU	Indoor Unit Name:	Sky-Air Round Flow Sensing Cassette
Outdoor Unit Model No.	RZR42TAVJUA	Outdoor Unit Name:	Sky-Air Cooling Only ODU
Rated Cooling Capacity (Btu/hr):	42,000	Rated Cooling Conditions:	Indoor (°F DB/WB): 80 / 67 Ambient (°F DB/WB): 95 / 75
Sensible Capacity (Btu/hr):	30,600	Rated Piping Length(ft):	25
Max/Min Cooling Capacity (Btu/hr):	/	Rated Height Difference (ft):	0.00
Cooling Input Power (kW):			
SEER (Non-Ducted/Ducted):	17.00 /		
EER (Non-Ducted/Ducted):	10.30 /		

SYSTEM DETAILS

Refrigerant Type:	R-410A	Cooling Operation Range (°F DB):	23 - 122
Holding Refrigerant Charge (lbs):	7.9	Heating Operation Range (°F WB):	-
Additional Charge (lb/ft):	0.04	Max. Pipe Length (Vertical) (ft):	98
Pre-charge Piping (Length) (ft):	15	Cooling Range w/Baffle (°F DB):	0 - 122
Max. Pipe Length (Total) (ft):	230	Heating Range w/Baffle (°F WB):	-
Max Height Separation (Ind to Ind ft):	0		

Daikin City Generated Submittal Data _____ Daikin North America LLC, 5151 San Felipe, Suite 500, Houston, TX, 77056 www.daikinac.com www.daikincomfort.com

(Daikin's products are subject to continuous improvements. Daikin reserves the right to modify product design, specifications and information in this data sheet without notice and without incurring any obligations)



Submittal Data Sheet

3.5-Ton Roundflow Sensing Cassette Cooling Only
FCQ42TAVJURZR42TAVJUA

INDOOR UNIT DETAILS

Power Supply (V/Hz/Ph):	208-230 / 60 / 1	Airflow Rate (H/M/L) (CFM):	1218/971/742
Power Supply Connections:	L1, L2, Ground	Moisture Removal (Gal/hr):	
Min. Circuit Amps MCA (A):	1.8	Gas Pipe Connection (inch):	5/8
Max Overcurrent Protection (MOP) (A):	15	Liquid Pipe Connection (inch):	3/8
Dimensions (HxWxD) (in):	11-23/32 x 33-1/16 x 33-1/16	Condensate Connection (inch):	1
Net Weight (lb):	70	Sound Pressure (H/M/L) (dBA):	45/40/35
Ext. Static Pressure (Rated/Max) (inWg):	/	Sound Power Level (dBA):	

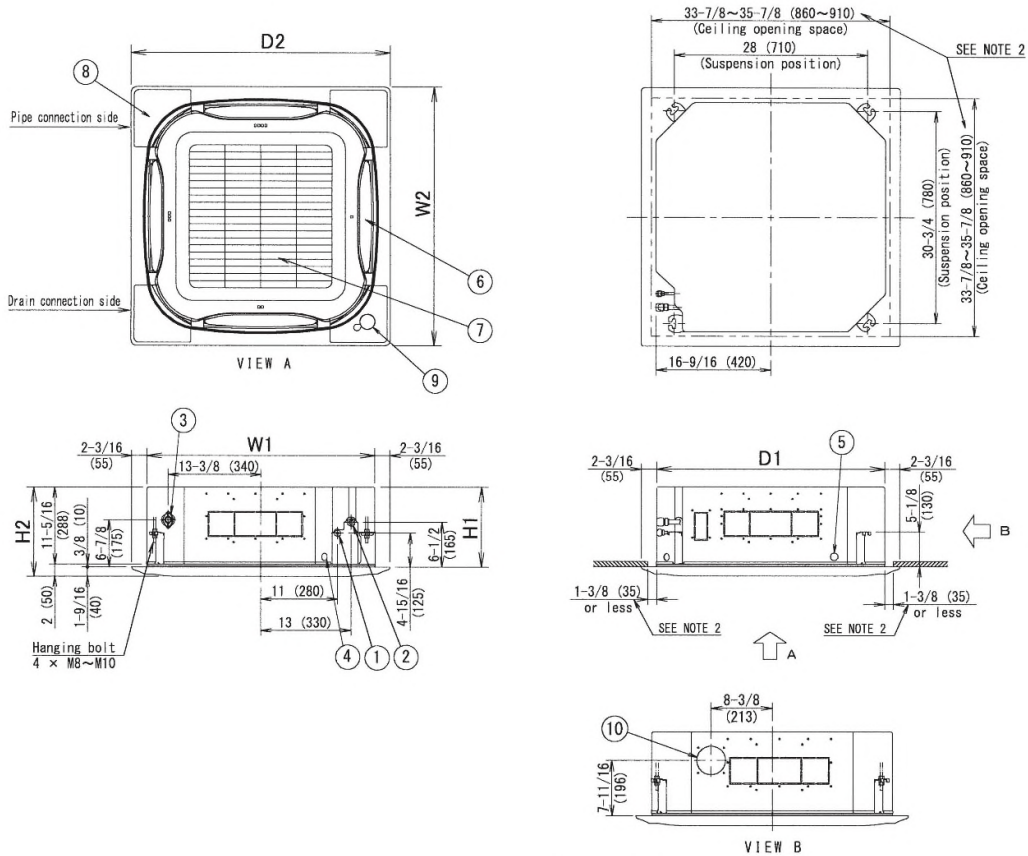
OUTDOOR UNIT DETAIL

Power Supply (V/Hz/Ph):	208-230 / 60 / 1	Compressor Stage:	
Power Supply Connections:	L1, L2, Ground	Capacity Control Range (%):	14-100
Min. Circuit Amps MCA (A):	29.1	Airflow Rate (H) (CFM):	3741
Max Overcurrent Protection (MOP) (A):	35	Gas Pipe Connection (inch):	5/8
Max Starting Current MSC(A):		Liquid Pipe Connection (inch):	3/8
Rated Load Amps RLA(A):		Sound Pressure (H) (dBA):	57
Dimensions (HxWxD) (in):	52-15/16 x 35-7/16 x 12-5/8	Sound Power Level (dBA):	
Net Weight (lb):	225		

Submittal Data Sheet

3.5-Ton Roundflow Sensing Cassette Cooling Only
 FCQ42TAVJURZR42TAVJUA

DIMENSIONAL DRAWING - INDOOR UNIT



Unit : in. (mm)

ITEM	PART NAME	REMARK
1	Liquid pipe connection	φ3/8 (φ9.5) Flare connection
2	Gas pipe connection	φ5/8 (φ15.9) Flare connection
3	Drain pipe connection	VP25 (O. D. φ1-1/4 (φ32), I. D. φ1 (φ25))
4	Power supply entry hole	
5	Transmission wiring entry hole	
6	Air Outlet	
7	Air Inlet grille	
8	Corner decoration cover	
9	Sensor	Infrared presence sensor Infrared floor sensor
10	Knock out hole	φ3-15/16 (φ100)

Without panel	H1	11-3/4 (298)
	W1	33-1/16 (840)
	D1	33-1/16 (840)
With panel	H2	13-5/16 (338)
	D2	37-3/8 (950)

Notes) 1. Location of the nameplates:

- Unit body: on the control box cover.
- Decoration panel: on the panel frame at the motor side under the corner cover.

2. Make sure the spacing between the ceiling and the cassette is no more than 1-3/8" (35mm).
 MAX ceiling opening: 35-7/8" (910mm).

3. When the conditions exceed 86°F (30°C) and RH 80% in the ceiling or fresh air is inducted into the ceiling an additional insulation is required (polyethylene foam, thickness 3/8" (10mm) or more).

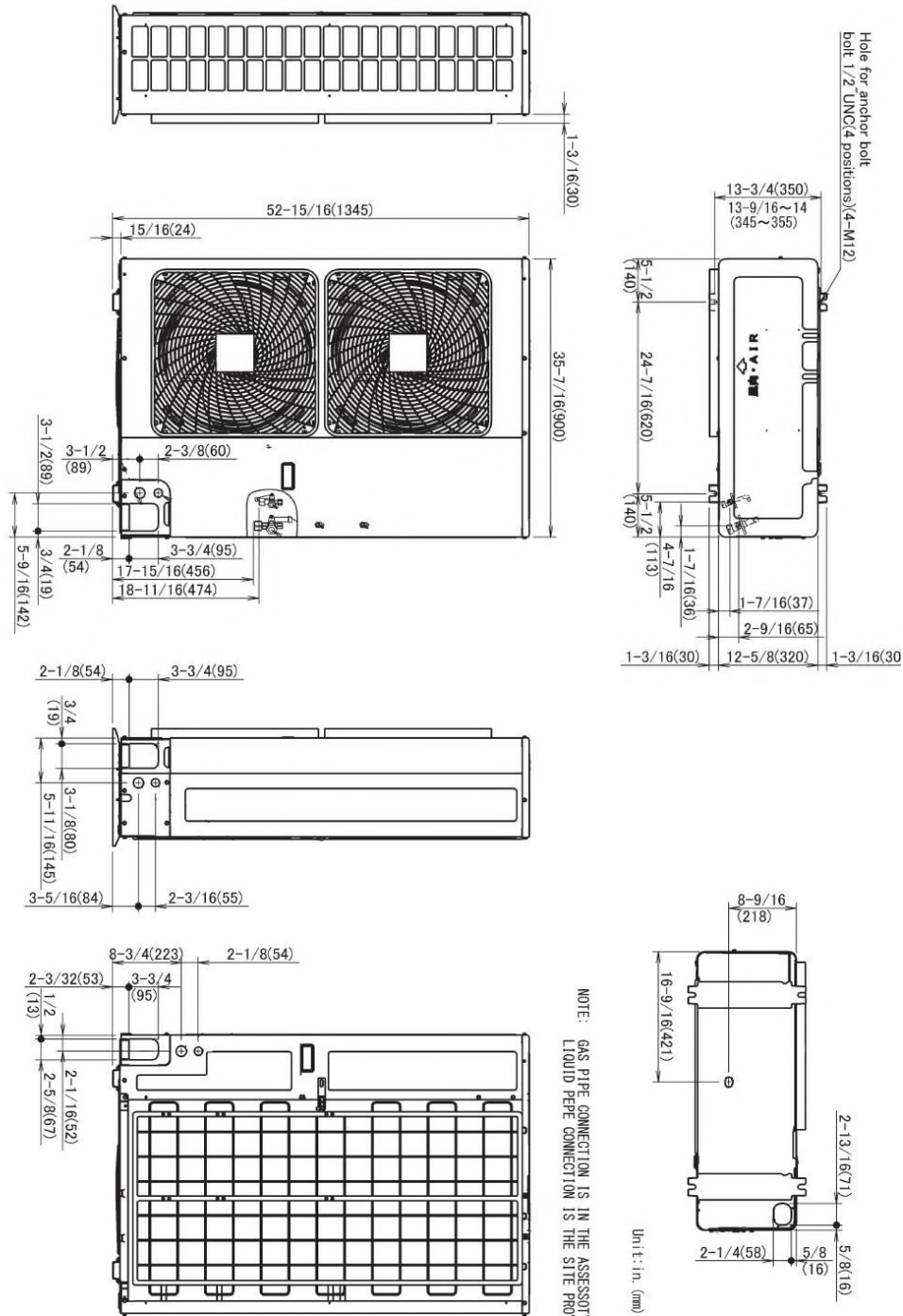
Note: For additional dimensional data and clearance information, refer to Engineering Data



Submittal Data Sheet

3.5-Ton Roundflow Sensing Cassette Cooling Only
 FCQ42TAVJURZR42TAVJUA

DIMENSIONAL DRAWING - OUTDOOR UNIT



Note: For additional dimensional data and clearance information, refer to Engineering Data